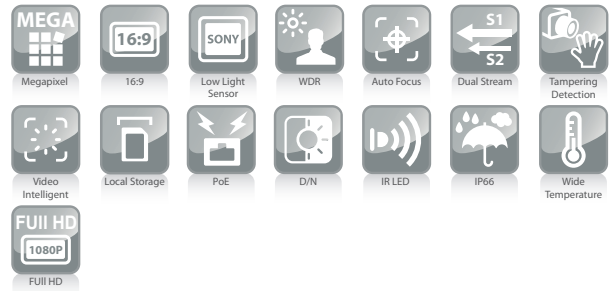


# CAM3365

## 3 Megapixel WDR Day&Night Bullet Network Camera



- 3 Megapixel SONY Low Light Sensor with WDR
- Up to 2048 x 1536 Video Resolution
- H.264/MPEG4/MJPEG 2 Simultaneous Video Streams
- Surveon Video Intelligent Ready
- MicroSD/SDHC Local Storage for Alarm Capture
- 3X Optical Zoom with Surveon Auto Focus
- PoE (IEEE 802.3af) and Day/Night ICR
- Built-in IR Illuminators, Effective Up to 20 Meters
- IP66 and Wide Temperature for Outdoor Application



### Product Specification

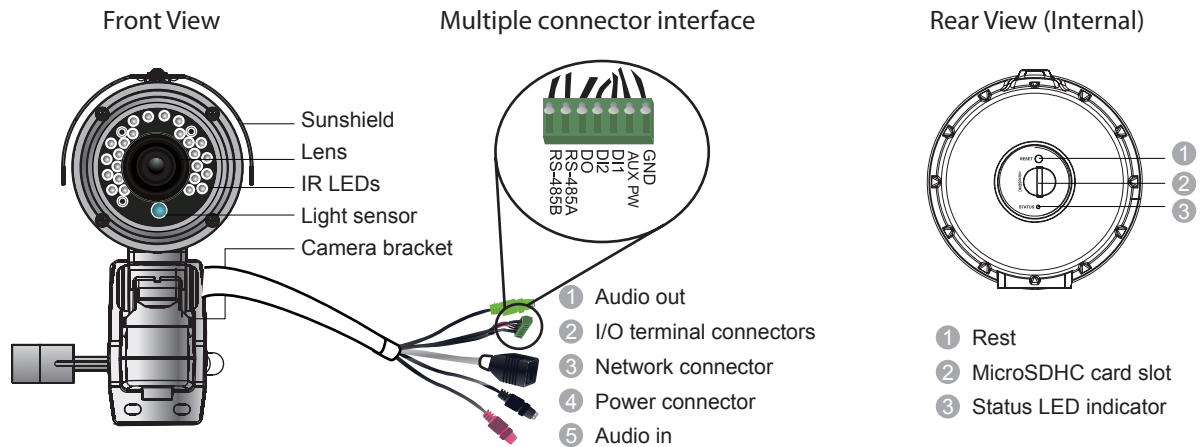
Camera	
Image sensor	1/2.8" 3 megapixel SONY low light CMOS
Lens	3 - 10 mm motor lens, F1.3
SNR	48dB
WDR	Yes
Day/Night ICR	Yes
IR LED	Yes (20M)
Min illumination	0 Lux (IR LEDs on) 0.1 Lux @ F1.2 (Color)
Iris control	DC drive
Shutter time	1/7.5 ~ 1/100,000 s
Viewing angle	Diagonal: 129°~34° Horizontal: 100°~27° Vertical: 73°~20°
Camera angle adjustment	N/A
Pan/tilt/zoom functionalities	N/A
Video	
Video compression	H.264/MPEG-4/MJPEG
Resolution	Up to 2048 x 1536
Frame rate	15 fps at QXGA (2048 x 1536) 25 fps at 1080P (1920 x 1080) 30 fps at SXGA (1280 x 1024) 30 fps at HD720 (1280 x 720) 30 fps at D1 (720 x 480) 30 fps at VGA (640 x 480) 30 fps at QVGA (320 x 240)
Video stream	Dual stream at H.264, MPEG-4, and MJPEG simultaneously
Bit rate	64K ~ 10Mbps, VBR, CBR, controller frame rate and quality
Video control	AGC (Auto Gain Control), AWB (Auto White Balance), BLC (Back Light Compensation), image adjustment
Surveon Video Intelligent	Motion detection
Video jack	N/A
Audio	

Built-in MIC	N/A
Audio compression	32KHz, ADPCM
Audio input/output	3.5mm phone jack
I/O and Event Management	
Alarm in	2, terminal block
Alarm out	1, terminal block
Video buffer	5 second pre-alarm, 30 second post-alarm
Event action	Send snapshot or video clip by FTP or email, record to NAS, record to local storage, trigger DO
Network	
Supported protocols	IPv4, ARP, TCP, UDP, ICMP, DHCP, NTP, DDNS, SMTP, FTP, HTTP, CIFS, PPPoE, UPnP, RTP, RTSP, RTCP, 3GPP
Ethernet	10/100 Base-T / RJ45
System	
Local storage	microSD/SDHC x 1 (Class 4/Class 6 only)
RS-485	1 (2 pin on terminal block)
USB	N/A
SDK	Surveon SDK 2.0
Viewing System	
OS	Microsoft Windows XP/Vista/7
Browser	Microsoft IE 6.0 or above
Software	Surveon VMS 2.4.1
General	
Temperature	Operation: -25°C ~ 50°C (-13°F ~ 122°F) Storage: -30°C ~ 60°C (-22°F ~ 140°F)
Humidity	5 to 90%
Power	12VDC 1.5A ; PoE (IEEE 802.3af) with Class 3
Power consumption	Max. 8W (w/o Heater) Max. 13W (w/ Heater)
Dimension	105mm x 218.8mm x 191.41mm (3.44" x 7.18" x 6.28")
Weight	Net:1,400g (3.09lb.) Gross:2,170g (4.8lb.)
Certification	Safety: LVD EMC: FCC, CE IP66

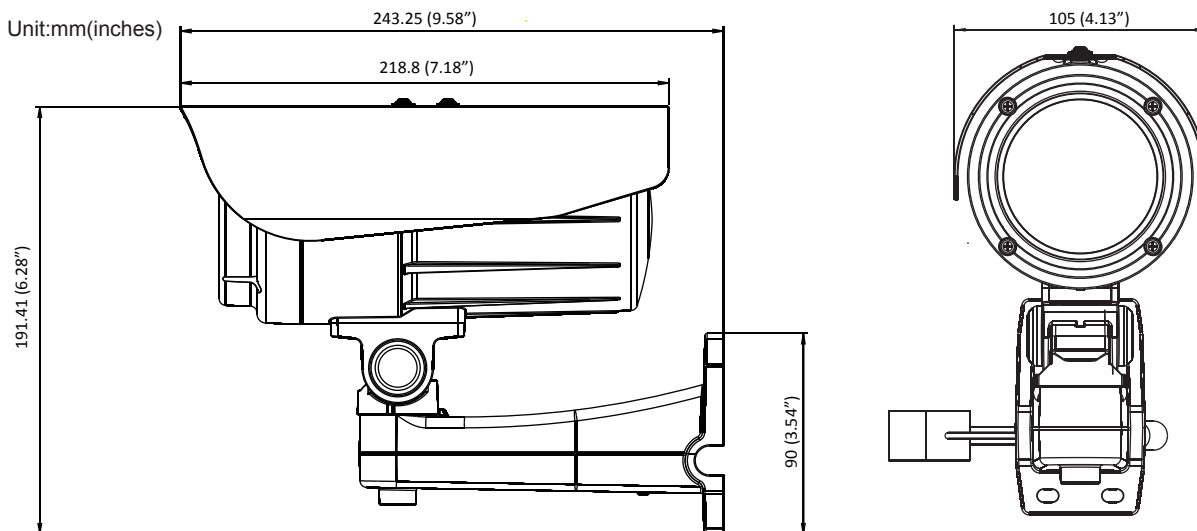
# CAM3365

3 Megapixel WDR Day&Night Bullet Network Camera

## Part Names and Functions



## Appearance



## Package Content

Contents	Quantity
Quick Installation Guide	1
Product DVD	1
CAM3365	1
Camera Bracket	1
Screw Hole Indicator Sticker	1
Anchors and Mounting Screws	4
L Type Hexagon Spanner	1

## Ordering Information

Part Number	Description
CAM3365-0055	3 megapixel day&night outdoor bullet network camera with motor lens

## Optional Accessories

Part Number	Description
ZPWR18W-0030	Power Adapter

## Verkauf und Beratung:

Repro Schicker AG, Security Systeme  
 Grabenstrasse 12-14, CH-6341 Baar/ZG  
[www.surveon.ch](http://www.surveon.ch) / [www.video-technik.ch](http://www.video-technik.ch)  
[info@videotechnik.ch](mailto:info@videotechnik.ch) +41 (0)41 768 19 13