

Quick Installation Speed Dome Installation Manual

Version 2.0

Table of Contents

1	QUICK INSTALLATION SPEED DOME INSTALLATION	1
1.1	Installation Preparation	1
1.2	Installation.....	2
1.2.1	Address and Baud Rate Setup	2
1.2.2	Install the transparent cover	3
1.2.3	Install the speed dome	4
1.3	Initial Setup.....	5
1.4	Dial Switch Setup.....	6
1.4.1	Communication protocol and Baud rate	6
1.4.2	Address Setup.....	7
2	BRACKET DIMENSIONS	8
2.1	Wall mount bracket.....	8
2.2	Hanging mount bracket (Multiple Lengths).....	8
2.3	Corner mount bracket	8
2.4	Pole mount bracket	9
3	WALL MOUNT BRACKET INSTALLATION	10
3.1	Component Installation	10
3.2	Installation.....	10
3.2.1	Installation Requirements	10
3.2.2	Installation Steps.....	10

4	HANG MOUNT BRACKET INSTALLATION	12
4.1	Component Installation	12
4.2	Installation.....	12
4.2.1	Installation Requirements	12
4.2.2	Installation Steps.....	12
5	CORNER MOUNT BRACKET INSTALLATION	14
5.1	Component Installation	14
5.2	Installation.....	14
5.2.1	Installation Requirements	14
5.2.2	Installation Steps.....	14
6	POLE MOUNT BRACKET INSTALLATION	16
6.1	Installation.....	16
6.1.1	Installation Requirements	16
7	APPENDIX I THUNDER PROOF AND SURGE PROTECTION	18
8	APPENDIX II ABOUT RS485 BUS	19
8.1	RS485 Bus Main Feature	19
8.2	RS485 Bus Transmission Distance	19
8.3	The Problem in Practical Use	19
8.4	RS485 Bus FAQ	20

Welcome

Thank you for purchasing our speed dome!

Please read the following safeguards and warnings carefully before you install or use the product!

Important Safeguards and Warnings

Safety Measures

Qualified Engineer Needed

- The installation engineer or maintenance engineer shall have corresponding CCTV system installation certificate or maintenance qualification certificate.
- The installation engineer or maintenance engineer shall have qualification certificate for work at height.
- The installation engineer or maintenance engineer shall have the basic knowledge and operation technique for low-voltage cable layout and low-voltage electronic cable connection.
- Please read the installation manual carefully and keep it well for future reference,
- We are not liable for any problems caused by unauthorized modifications or attempted repair.

Lifting Appliance Requirement

- Please select the proper speed dome installation mode and use the lifting appliances at the safety environment.
- The lifting appliances shall have the enough capacity to reach the installation height.
- The lifting appliances shall have safe performance.

Precautions

Safety Transportation

- Heavy stress, violent vibration or water splash are not allowed during transportation, storage and installation.
- This series product must use split type package during the transportation.
- We are not liable for any damage or problem resulting from the integrated package during the transportation.

When device is malfunction

Shut down the device and disconnect the power cable immediately if there is smoke, abnormal smell or abnormal function. Please contact your local retailer ASAP.

Do not try to dismantle or modify the device

- There is risk of personal injury or device damage resulting from opening the shell.
- Please contact your local retailer if there is internal setup or maintenance requirement.

- We are not liable for any problems caused by unauthorized modifications or attempted repair.

Do not allow other object falling into the device

- Please make sure there is no metal or inflammable, explosive substance in the speed dome.
- The above mentioned objects in the device may result in fire, short-circuit or damage.
- Please shut down the device and disconnect the power cable if there is water or liquid falling into the camera. Please contact your local retailer ASAP.
- Please pay attention to the camera. Avoid the sea water or rain to erode the camera.

Handle carefully

Do not allow this series product fall down to the ground.

Avoid heavy vibration.

Installation Environment Requirement

- This series speed dome should be installed in a cool, dry place away from direct sunlight, inflammable, explosive substances and etc.
- This series product shall be away from the strong electromagnetism radiant, please keep it away from wireless power, TV transmitter, transformer and etc.

Daily Maintenance

- Please use the soft cloth to clean dust on the shell, or you can use soft cloth with cleaning liquid to clean the shell and then use soft cloth to make it dry.
- Do not use gasoline, dope thinner or other chemical material to clean the shell. It may result in shell transfiguration or paint flake.
- Do not allow the plastic or rubber material to touch the shell for a long time. It may result in paint flake.

1 QUICK INSTALLATION SPEED DOME INSTALLATION

1.1 Installation Preparation

Basic Requirement

- All installation and operation here should conform to your local electrical safety codes.
- Before installation, please open the package and check all the components are included. Please make sure the speed dome installation environment and installation mode can meet your requirement. If there is special requirement, please contact your local retailer for more information.
- We assume no liability or responsibility for all the fires or electrical shock caused by improper handling or installation.

Check installation space and installation location intension

Please make sure the installation environment has enough space to install the speed dome and its corresponding bracket.

Please make sure the ceiling, wall and the bracket can support the speed dome and its corresponding installation component. The safety factor shall be 4X.

About cable

Please select the cable according to your transmission distance.

The minimum video coaxial-cable requirement is:

- 75 ohm.
- Full cable with copper conductor
- 95% knitted copper shield

International Model	Max Distance (Ft\M)
RG59/U	750ft (229m)
RG6/U	1,000ft (305m)
RG11/U	1,500ft (457m)

Set dial switch button

Set dial switch button according to control protocol and speed dome address. (Please refer to user's manual for detailed information.)

Please keep all package material well for future use

Please keep speed dome package material well in case you need to send it back to your local retailer or manufacturer for maintenance work.

Non-original package material may result in device damage during the transportation.

Check Accessories

Before the installation, please check the accessories one by one according to the packing list. Please make sure all the components listed are includes.

Important:

The quick installation speed dome power is AC 24V/3A.

1.2 Installation

Please note the quick installation speed dome includes the quick installation high speed dome, IP quick installation speed dome, tracing quick installation high speed dome, quick installation medium speed dome.

The speed dome has several types of installation brackets. You can refer to the following contents for detailed information. Here we are going to install the speed dome in wall mount bracket.

Open the transparent cover and take out the packing material EPE around the speed dome driver. Please remove the protective paster from the driver and take off the camera lens cap. See Figure 1-1.

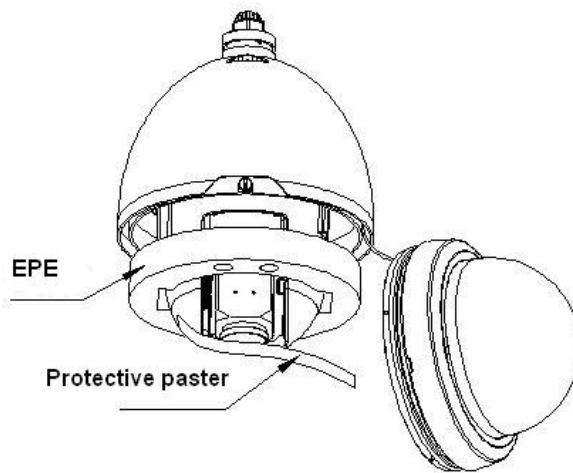


Figure 1-1

1.2.1 Address and Baud Rate Setup

Now you can set the quick installation speed dome address and baud rate. The speed dome interface is shown as below. See Figure 1-2. There are two dial switches: SW1 and SW2. Here you can set the address, baud rate, communication protocol and etc. Please refer to chapter 1.4 for detailed information.

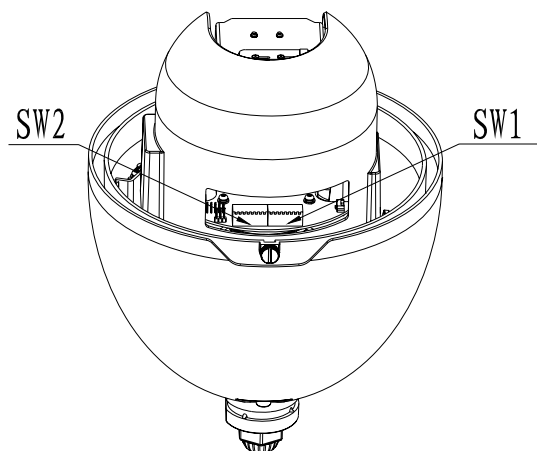


Figure 1-2

1.2.2 Install the transparent cover

First, you need to check the steel wire of the bracket is firmly secure or not.

Please line up the captive screws to the quadrate groove of the bracket and then push the bracket into the internal enclosure. Fix these two captive screws. See Figure 1-3.

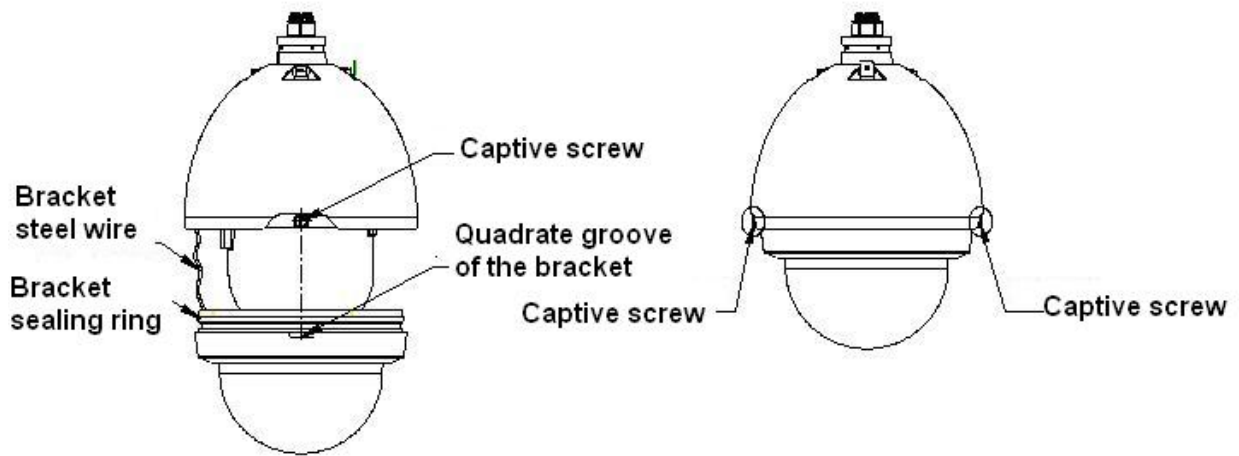


Figure 1-3

Now you can install the quick installation port. Please twist Teflon tape around the screw thread of the quick installation port and turn it into the screw thread of the wall mount bracket. Use M4 stainless screws to secure firmly. See Figure 1-4.

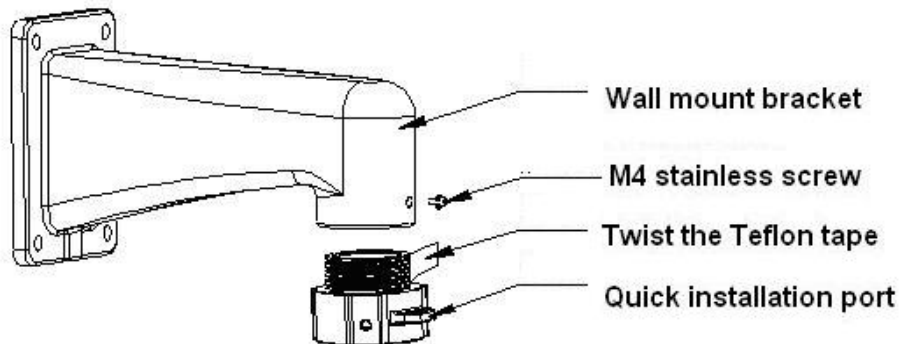


Figure 1-4

Now you can begin the cable connection.

Connect the steel wire of the quick installation cover to the hook of the quick installation port. Connect the reserved integration cable of the wall mount bracket to the corresponding power cable, video output cable, RS485 control cable, alarm input/output port(if necessary) of the multiple-function composite cable of the quick installation speed dome. Paste the insulating tape in the connection position to do the proper waterproof work. See Figure 1-5.

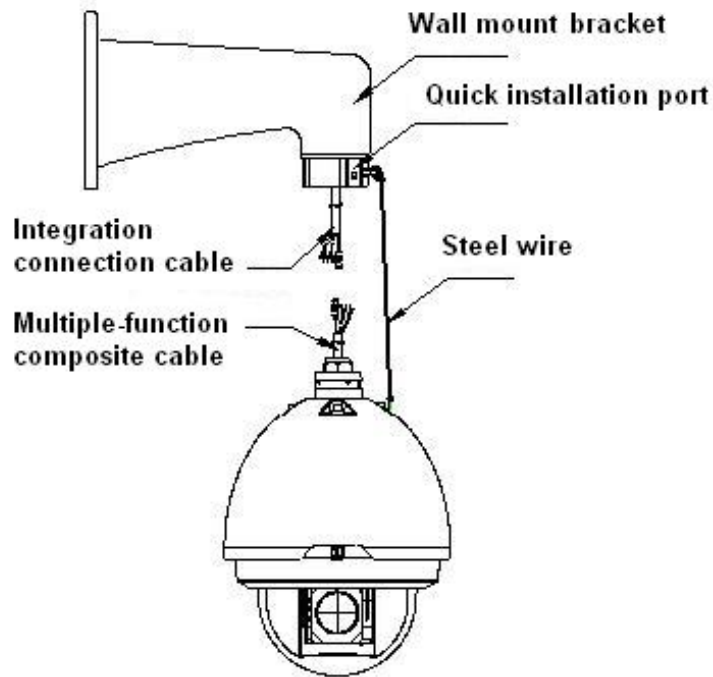


Figure 1-5

Note

The video port is covered the heat shrink tube of high shrinking ratio. After the video connection, please heat the tube to make sure the video port is damp proof and water proof.

1.2.3 Install the speed dome

After you complete the above steps, please pull the integration cable and multiple-function composite cable to the wall mount bracket.

Line up the straight edge of the internal enclosure of the quick installation speed dome to the straight edge of the quick installation port, and then push the speed dome to the bottom of the port slowly. Use your hands to turn the three stainless screws of the quick installation port to the groove of the internal enclosure of the quick installation speed dome. Turn the stainless screw of straight edge of the quick installation port to the $\Phi 6.5$ hole of the straight edge of the internal enclosure of the quick installation speed dome. Use the inner hex tool to fix these three stainless screws. Now you have completed the installation. See Figure 1-6.

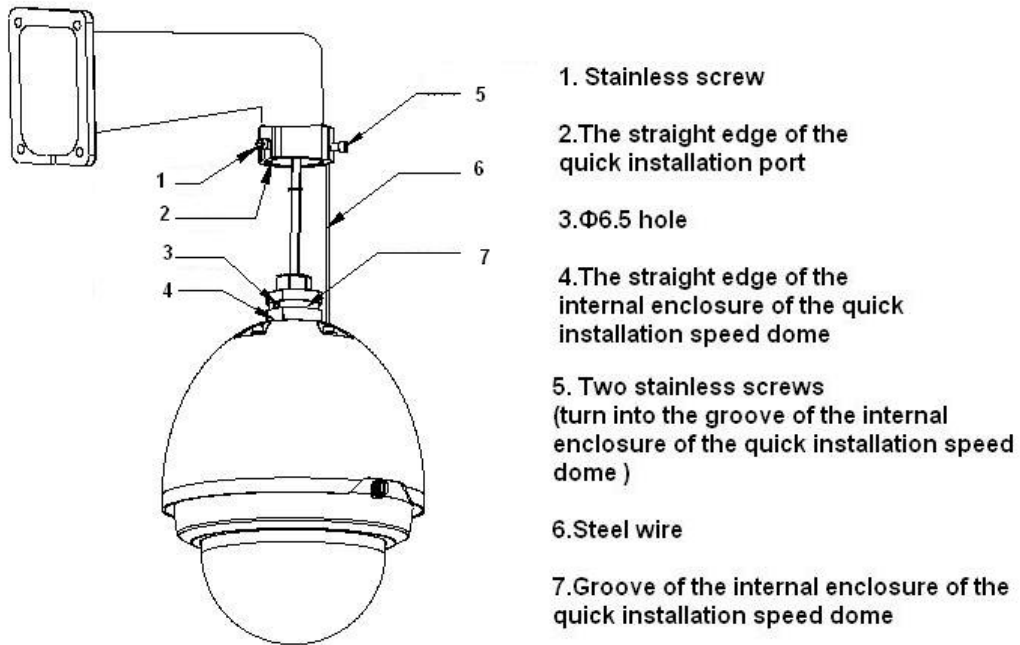


Figure 1-6

Important

After the installation, please make sure:

- The three stainless screws of the quick installation port are firmly secure.
- The quick installation speed dome is fixed.
- The speed dome is straight.
- The steel wire connection is firm.

After your installation, the interface is shown as in Figure 1-7.

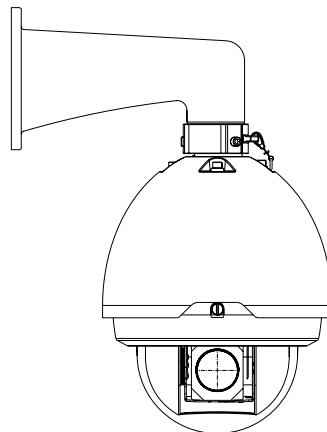


Figure 1-7

1.3 Initial Setup

The default setup is:

- Address: 1

- Baud rate: 9600

1.4 Dial Switch Setup

The two dial switches of the speed dome are SW1 and SW2. These are to specify the speed dome parameter such as protocol, baud rate, address and etc. When the button is ON, it is 1. In the SW1 and SW2, 1 is the lowest bit and the 8 is the highest bit. See Figure 1-8.

Please note this series speed dome cans automatically recognize the DH-SD, PELCO-D, PELCO-P. Usually you do not need to set the protocol.

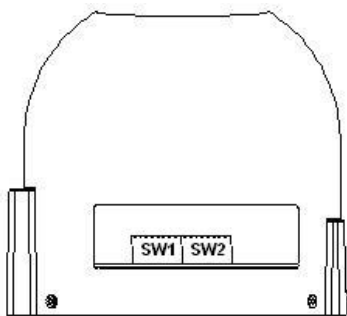


Figure 1-8

1.4.1 Communication protocol and Baud rate

Please refer to the protocol sheets for detailed information.

Protocol				Baud rate		Parity	
1	2	3	4	5	6	7	8

1	2	3	4	Communication Protocol
OFF	OFF	OFF	OFF	DH-SD (Compatible with China industrial standard protocol)
ON	OFF	OFF	OFF	PELCO-D
OFF	ON	OFF	OFF	PELCO-P
X	X	X	X	Reserved

Please refer to the baud rate sheet for detailed information.

5	6	Baud Rate
OFF	OFF	9600bps
ON	OFF	4800bps
OFF	ON	2400bps
ON	ON	1200bps

Please refer to the parity setup sheet for detailed information.

7	8	Parity
OFF	OFF	NONE
ON	OFF	EVEN
OFF	ON	ODD
ON	ON	NONE

1.4.2 Address Setup

The speed dome address setup interface is shown as below. See Figure 1-9.

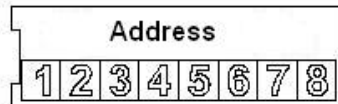


Figure 1-9

The encode mode adopts binary system. 1 to 8 is valid bit. The highest address bit is 255. You can refer to the following sheet for more information.

Address	1	2	3	4	5	6	7	8
1	OFF	OFF	OFF	OFF	OFF	OFF	OFF	OFF
1	ON	OFF	OFF	OFF	OFF	OFF	OFF	OFF
2	OFF	ON	OFF	OFF	OFF	OFF	OFF	OFF
3	ON	ON	OFF	OFF	OFF	OFF	OFF	OFF
4	OFF	OFF	ON	OFF	OFF	OFF	OFF	OFF
5	ON	OFF	ON	OFF	OFF	OFF	OFF	OFF
6	OFF	ON	ON	OFF	OFF	OFF	OFF	OFF
7	ON	ON	ON	OFF	OFF	OFF	OFF	OFF
8	OFF	OFF	OFF	ON	OFF	OFF	OFF	OFF
.....							
254	OFF	ON	ON	ON	ON	ON	ON	ON
255	ON	ON	ON	ON	ON	ON	ON	ON

2 BRACKET DIMENSIONS

2.1 Wall mount bracket

The wall mount bracket dimensions are shown as below. See Figure 2-1.

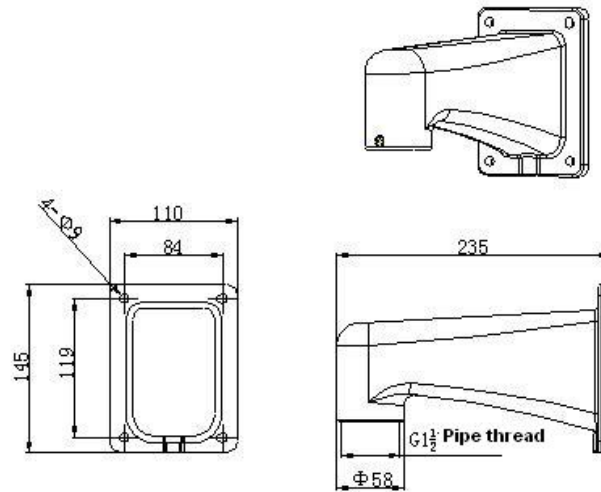
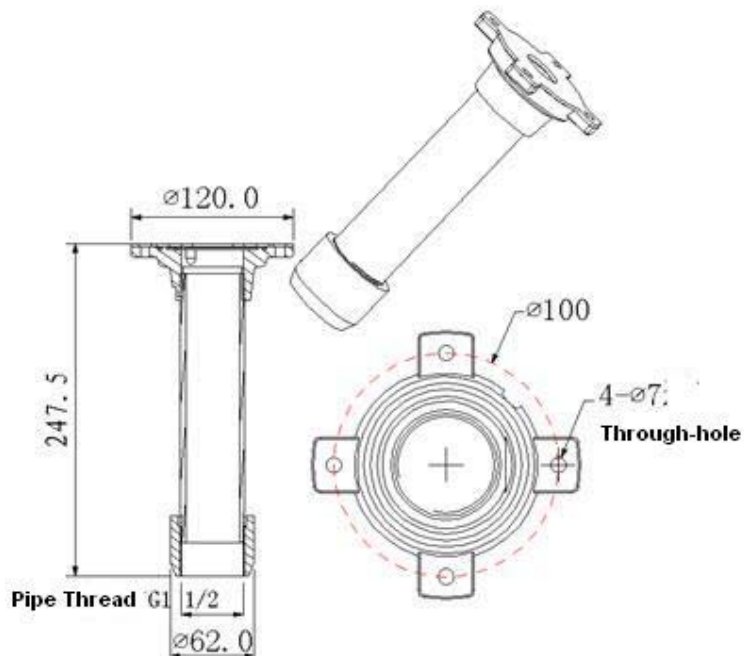


Figure 2-1

2.2 Hanging mount bracket (Multiple Lengths)

The hanging mount bracket is shown as below. See Figure 2-2.



The bracket length setup values are:

- 200mm
- 300mm
- 500mm

You just need to replace the connection pole.

Figure 2-2

2.3 Corner mount bracket

The corner mount bracket is shown as below. See Figure 2-3.

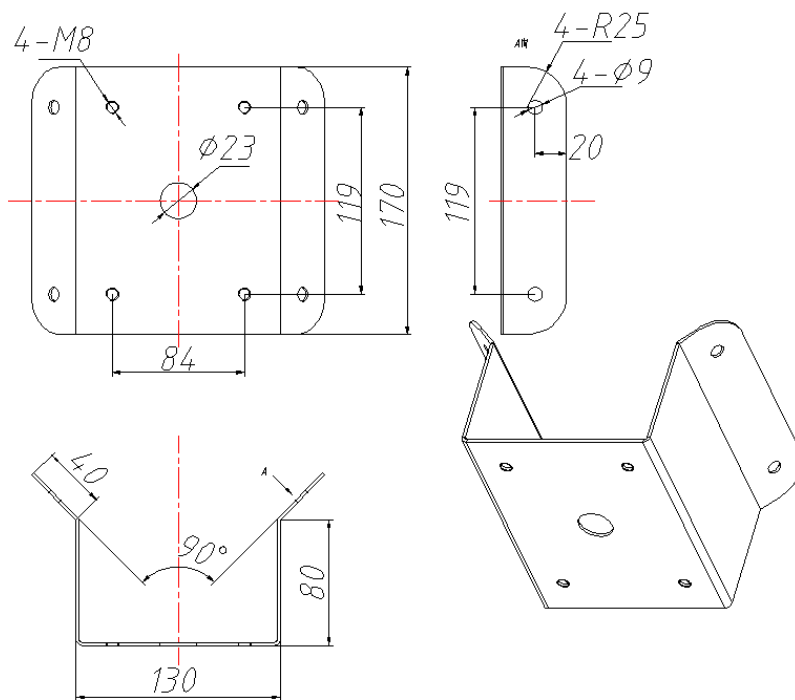


Figure 2-3

2.4 Pole mount bracket

The corner mount bracket is shown as below. See Figure 2-4.

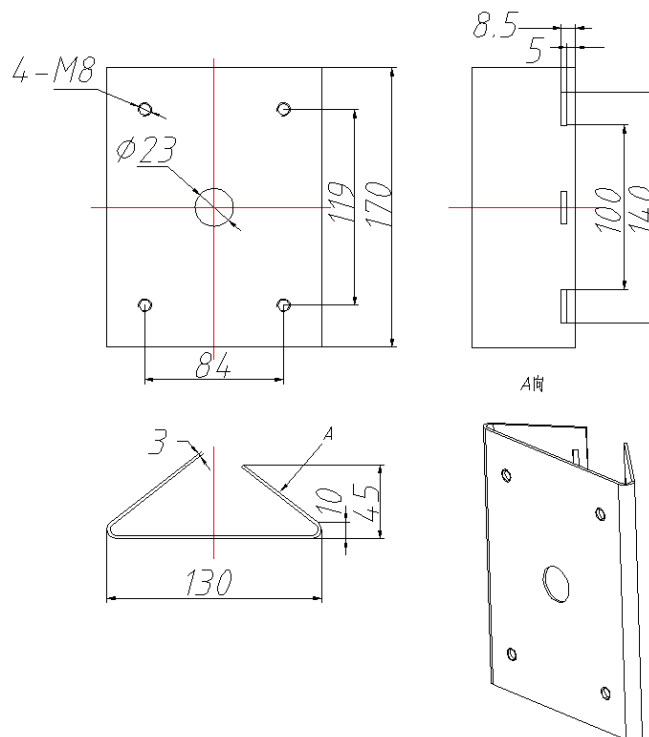


Figure 2-4

3 WALL MOUNT BRACKET INSTALLATION

3.1 Component Installation

Wall mount bracket is shown as below. See Figure 3-1.

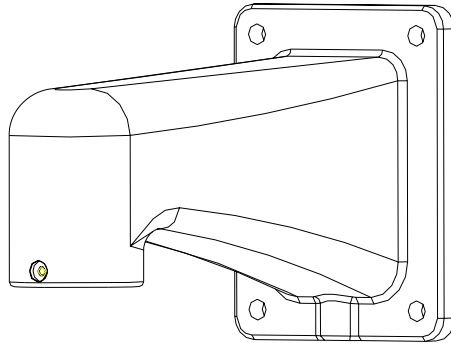


Figure 3-1

3.2 Installation

3.2.1 Installation Requirements

The wall mount speed dome can be installed in the hard construction wall in the indoor or outdoor environments. Before the installation, please make sure:

- The wall is thick enough to install the expansion bolt.
- The wall can at least sustain the 4x weight of the speed dome.

3.2.2 Installation Steps

Please draw four holes position in the wall according to the hole of the bottom of the wall mount bracket. Then you can dig four holes and insert the expansion bolts (not provided). Use four hex bolts and flat washer to fix the bracket in the expansion bolts. See Figure 3-2.

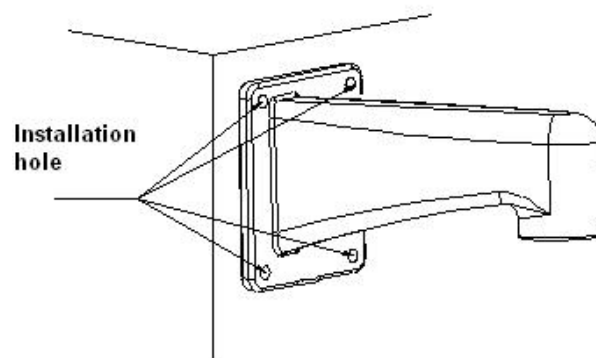


Figure 3-2

Install the speed dome in the bracket. See Figure 3-3.

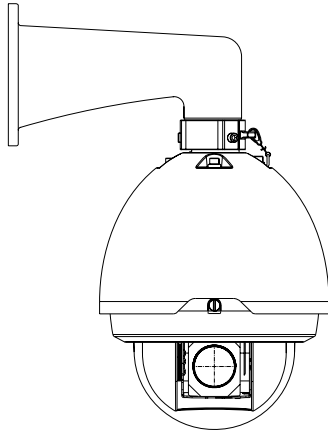


Figure 3-3

Please refer to chapter 1.2 for detailed installation information.

4 HANG MOUNT BRACKET INSTALLATION

4.1 Component Installation

Hang mount bracket and its components are shown as below. See Figure 4-1.

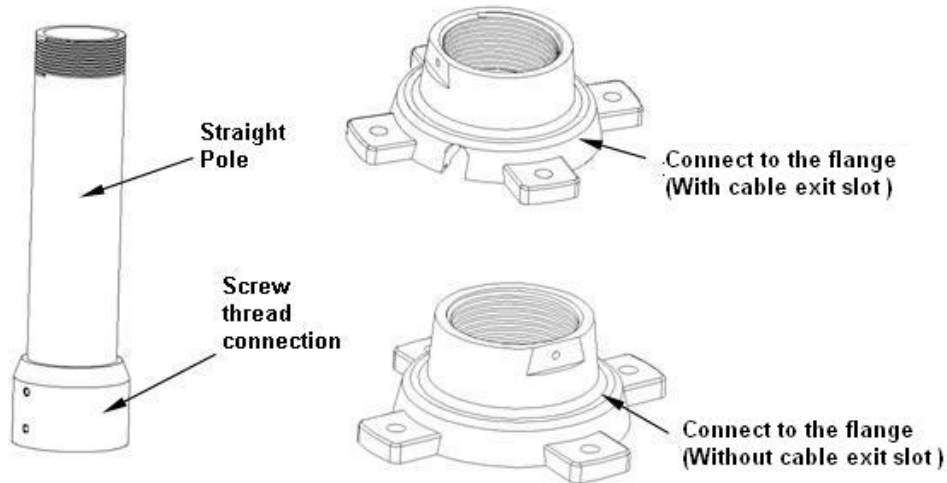


Figure 4-1

4.2 Installation

4.2.1 Installation Requirements

The hang mount speed dome can be installed in the hard construction wall in the indoor or outdoor environments. Before the installation, please make sure:

- The wall is thick enough to install the expansion bolt.
- The wall can at least sustain the 4x weight of the speed dome.

4.2.2 Installation Steps

Loosen the M4 bolt in the flange side to separate the flange and steve. Pull the integration cable through the airproof slot of the bottom of the flange and then connect to the centre hole of the flange. Please secure the flange in the ceiling. See Figure 4-3. **Please note, if the speed dome is installed in the outdoor environments, you need to paste the silica gel on the surface of the flange and the surface and the cable exit.**

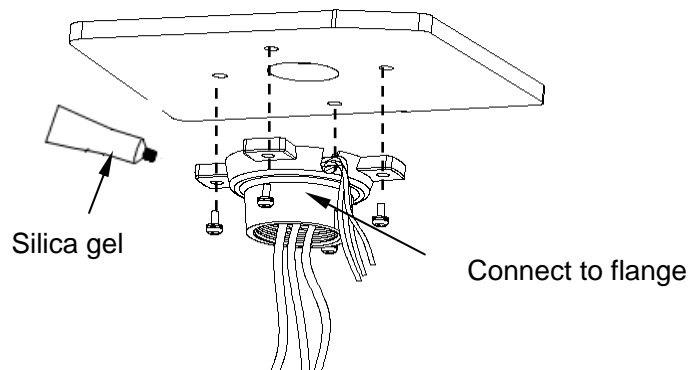


Figure 4-3

Pull the cable through the steeve and then secure the steeve to the flange. Fix the M4 bolt. Please note, if the speed dome is installed in the outdoor environments, you need to paste enough Teflon tape at the top screw thread of the steeve and then turn the steeve to the flange firmly. Please paste the silica gel on the steeve connection surface to do the waterproof work. See Figure 4-4.

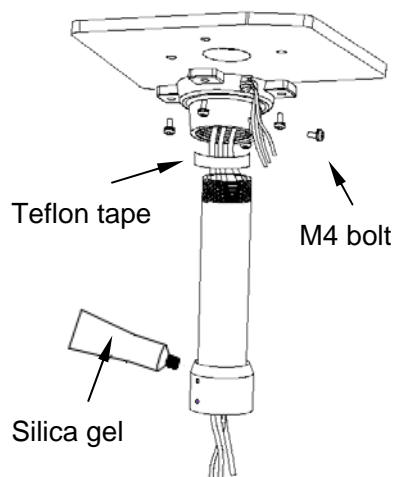


Figure 4-4

Please draw four holes position in the wall according to the hole of the bottom of the wall mount bracket. Then you can dig four holes and insert the expansion bolts (not provided). Use four hex but and flat washer to fix the bracket in the expansion bolts. See Figure 4-5.

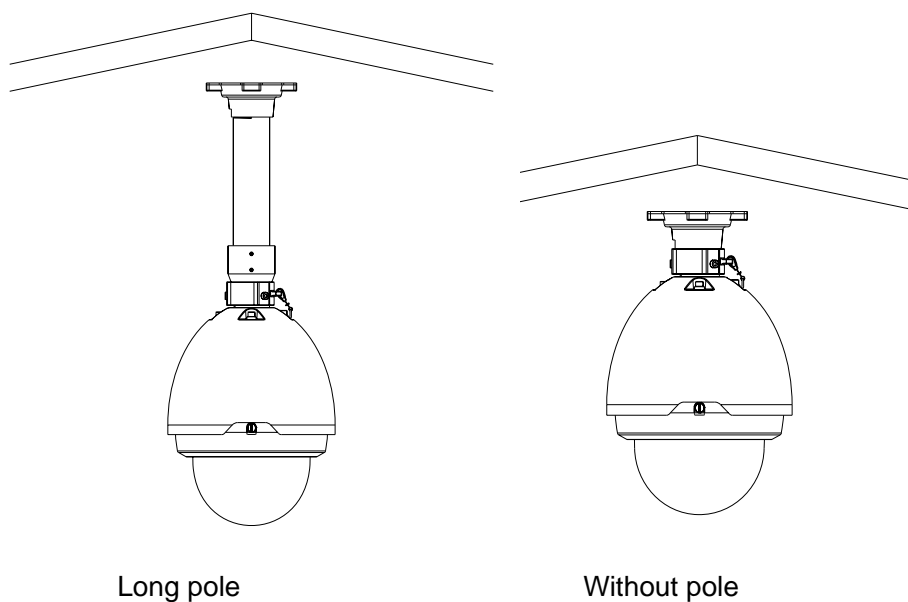


Figure 4-5

Please refer to chapter 1.2 for detailed installation information.

5 CORNER MOUNT BRACKET INSTALLATION

5.1 Component Installation

Corner mount bracket and its components are shown as below. See Figure 5-1.

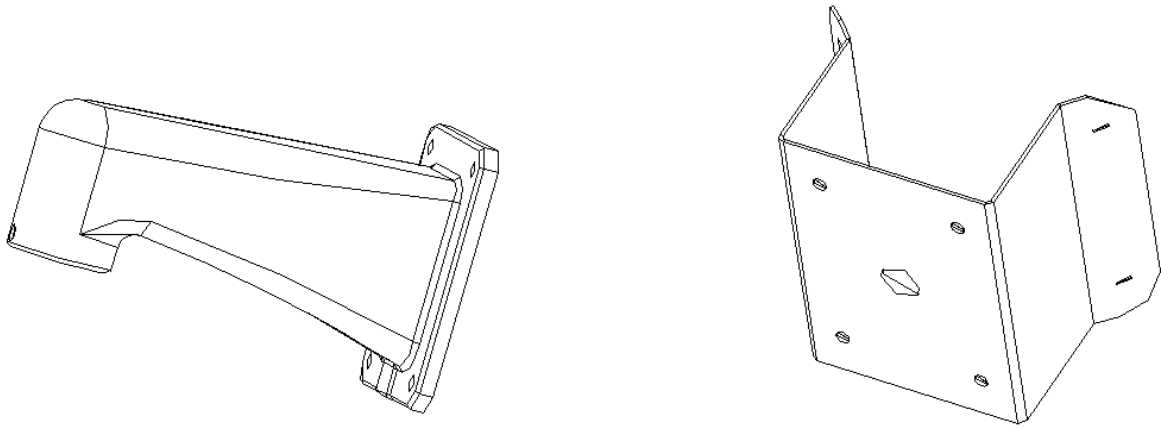


Figure 5-1

5.2 Installation

5.2.1 Installation Requirements

The corner mount speed dome can be installed in the hard construction wall in the indoor or outdoor environments where there is a 90 degrees angle. Before the installation, please make sure:

- The wall is thick enough to install the expansion bolt.
- The wall can at least sustain the 4x weight of the speed dome.

5.2.2 Installation Steps

Please draw four holes position in the wall according to the holes of the corner installation accessories. See Figure 5-2.

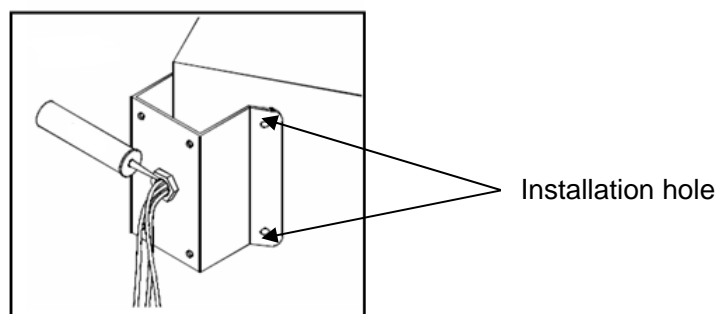


Figure 5-2

Then you can dig four holes and insert the M8 expansion bolts. Pull the power cable, video/control cable and the alarm cable through the centre hole of the bottom of the corner bracket, the waterproof adhesive, and the centre of the bracket. Please reserve the enough cable connection length and then use the M8 expansion bolt to secure the corer mount bracket chassis on the wall. See Figure 5-3.

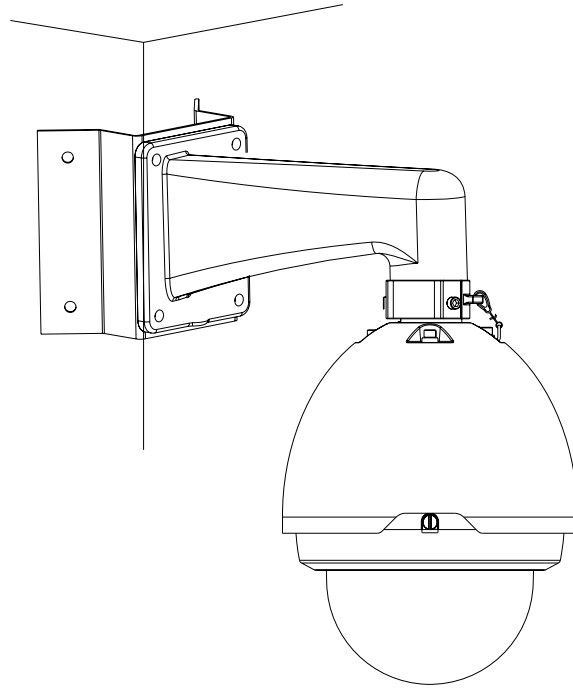


Figure 5-3

Please refer to chapter 1.2 for detailed installation information.

6 POLE MOUNT BRACKET INSTALLATION

Pole mount bracket and its components are shown as below. See Figure 6-1.

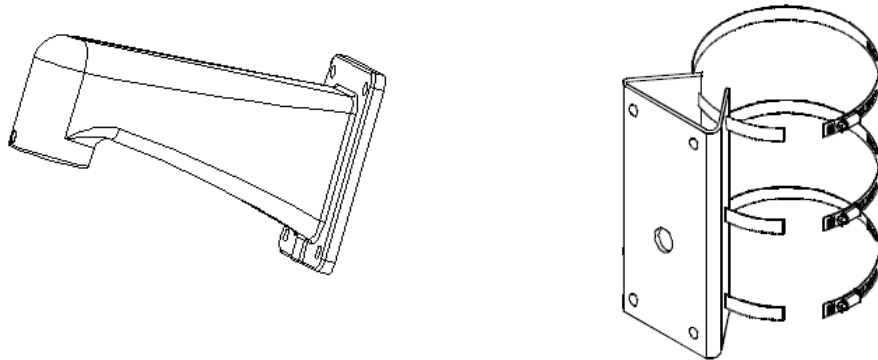


Figure 6-1

6.1 Installation

6.1.1 Installation Requirements

The corner mount speed dome can be installed in the hard construction wall in the indoor or outdoor environments.

Before the installation, please make sure the pole bracket can sustain the 4X weight of the speed dome.

The diameter of the pole structure shall comply with the installation dimension of the clamp.

Default factory clamp is six inches for the column of $\phi 130-152\text{mm}$. It can work with the pole

installation bracket. You can adjust the diameter and the value (clamp specification) is : $\phi 59-$

82mm 、 $\phi 84-108\text{mm}$ 、 $\phi 103-127\text{mm}$ 、 $\phi 130-152\text{mm}$ 、 $\phi 155-178\text{mm}$ 、 $\phi 180-203\text{mm}$ 、 $\phi 194-216\text{mm}$.

The clamp is shown as in Figure 6-2.

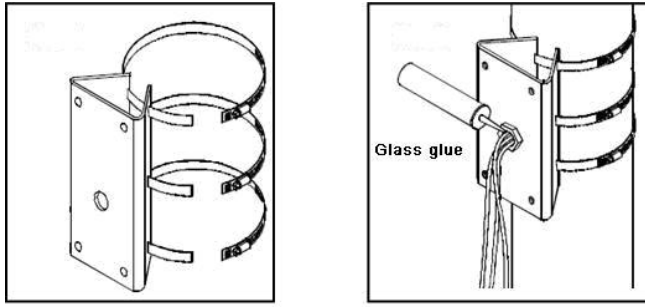


Figure 6-2

For special dimensions, please contact us for more information.

Please refer to Figure 6-3 to install clamp and pole bracket.

Pull the cable out of the pole accessories and then use clamp to fix the pole accessories to the pole. Finally, you can use glass cement to the output hole to secure waterproof.



Clamp and pole bracket connection Pole bracket and the pole connection

Figure 6-3

After you installed bracket and external cover, loosen the captive screws and open the panel, pull the power cable through the hanging bracket and then fix the hanging bracket to the wall. Please pay attention to the waterproof between the bracket and the wall. See Figure 6-4.

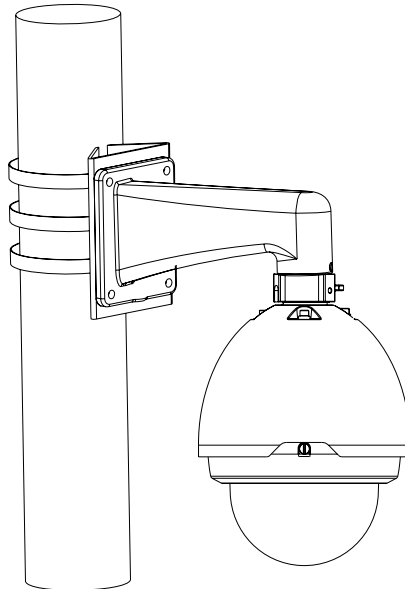


Figure 6-4

Please refer to chapter 1.2 for detailed installation information.

7 APPENDIX I THUNDER PROOF AND SURGE PROTECTION

This series speed dome adopts TVS lighting protection technology. It can effectively prevent damages from various pulse signals below 1500W, such as sudden lighting and surge. While maintaining your local electrical safety code, you still need to take necessary precaution measures when installing the speed dome in the outdoor environment.

- The distance between the signal transmission cable and high-voltage device (or high-voltage cable) shall be at least 50 meters.
- Outdoor cable layout shall go under the penthouse if possible.
- For vast land, please use sealing steel tube under the land to implement cable layout and connects one point to the earth. Open floor cable layout is forbidden.
- In area of strong thunderstorm hit or near high sensitive voltage (such as near high-voltage transformer substation), you need to install additional high-power thunder protection device or lightning rod.
- The thunder protection and earth of the outdoor device and cable shall be considered in the building whole thunder protection and conform to your local national or industry standard.
- System shall adopt equal-potential wiring. The earth device shall meet anti-jamming and at the same time conforms to your local electrical safety code. The earth device shall not short circuit to N (neutral) line of high voltage power grid or mixed with other wires. When connect the system to the earth alone, the earth resistance shall not be more than $4\ \Omega$ and earth cable cross-sectional area shall below $25\ \text{mm}^2$. See Figure 7-1.

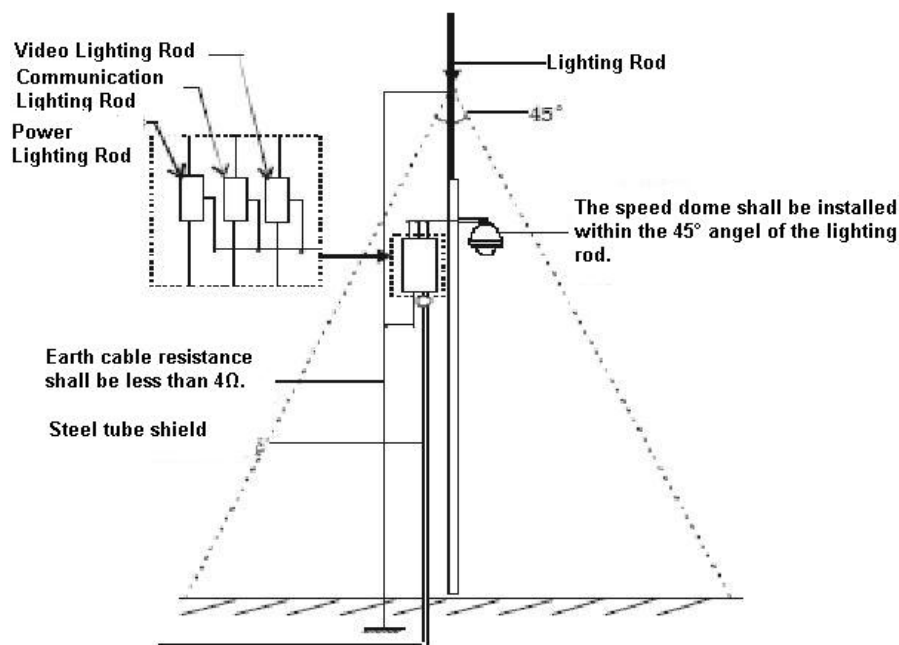


Figure 7-1

8 APPENDIX II ABOUT RS485 BUS

8.1 RS485 Bus Main Feature

RS485 is semi duplex communication cable of impedance $120\ \Omega$. Its max load amount is 32 effective loads (including main control device and devices to be charged).

8.2 RS485 Bus Transmission Distance

When we take 0.56mm (24AWG) twisted-pair as communication cable, the max transmission distance (theoretically) are listed below (according to different baud rates).

Baud Rate	Max Distance
2400 BPS	1800M
4800 BPS	1200M
9600 BPS	800M

In the following situations, the max transmission distance shall become shorter accordingly:

- The communication cable is a little bit thin;
- The surrounding environment has strong electromagnetic interference;
- There are too much devices connected to the RS485 bus;

And vice versa, the max transmission distance shall become longer.

8.3 The Problem in Practical Use

In practical usage, we usually adopt star type connection. The terminal resistance shall connect to the furthest two devices (Such as device 1# and device 15# in Figure 8-1). But this connection way does not conform to RS485 Bus standard. When the distances between devices are too long, the signal reflection occurs and anti-jamming decreases, thus the signal reliability becomes very low. You can see speed dome is not under control or speed dome is running automatically and can not stop.

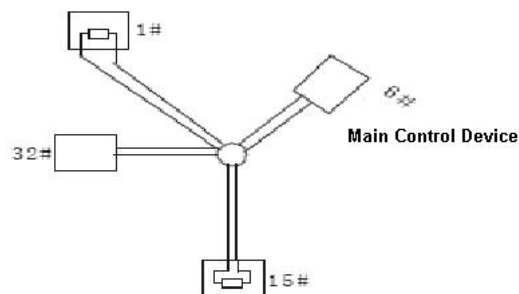


Figure 8-1

In this situation, we recommend RS485 distributor. This device can turn star type connection into the connection that conforms to RS485 bus industry standard, which can avoid the above mentioned problems and enhance communication reliability. See Figure 8-2.

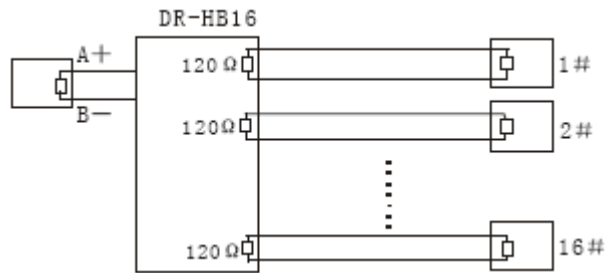


Figure 8-2

8.4 RS485 Bus FAQ

Phenomenon	Possible Reasons	Solution
Speed dome can run self-diagnosis but I can not control it.	<ul style="list-style-type: none"> ● Host address(baud rate) and speed dome address(baud rate) are not match; ● Positive and negative end of RS485 Bus are misconnected; ● Connection cable is loose; ● RS485 Bus connection are cut off; 	<ul style="list-style-type: none"> ● Modify host or speed dome setup ; ● Switch RS485 positive end and negative end; ● Fix connection cable firmly; ● Replace RS485 Bus.
I can control the speed dome but is not smooth	<ul style="list-style-type: none"> ● RS485 Bus connection are not good; ● One RS485 bus is off; ● The distance between host and speed dome is too far; ● Parallel connected too much speed domes. 	<ul style="list-style-type: none"> ● Connect RS 485 Bus again; ● Replace RS485 Bus; ● Add terminal matching resistance; ● Add RS485 distributor.

Note

- This manual is for reference only. Slight difference may be found in the user interface.
- All the designs and software here are subject to change without prior written notice.
- If there is any uncertainty or controversy, please refer to the final explanation of us.
- Please visit our website or contact your local service engineer for more information.